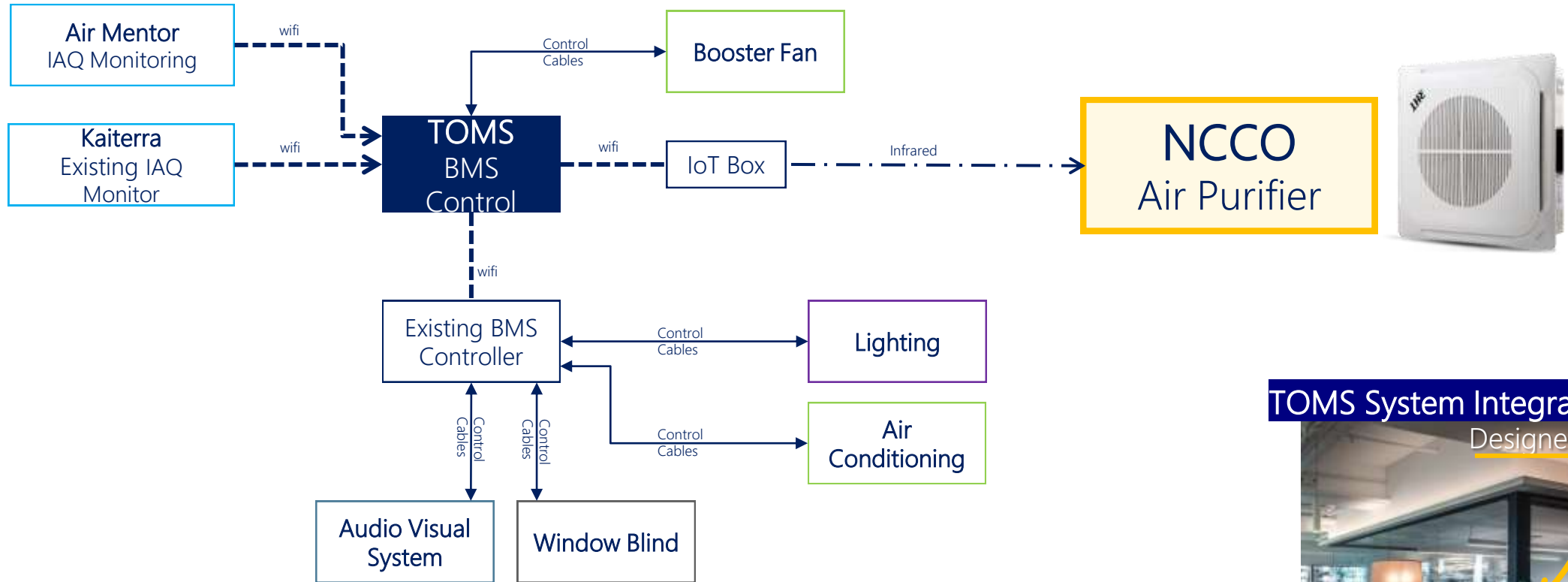


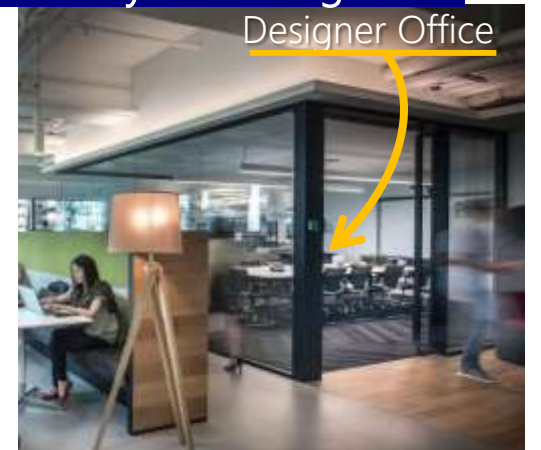
TOTAL OFFICE MANAGEMENT SYSTEM (TOMS)

- *Employ state-of-art Internet of Things (IoT) technology*
- *Wireless connections in different format to enhance flexibility and expandability*
- *Easy to install and replace*
- *Connect with many machines and equipment*
- *Easy to operate*
- *Low maintenance*

Job Reference– Designer Office



TOMS System Integration in Designer Office



Job Reference– Designer Office

Air Purification System



User Interface
(Control Panel)



Air Mentor

	Systems	Monitoring	Control
1	Lighting System	✓	✓
2	Air Conditioning System	✓	✓
3	Booster Fan Units Control		✓
4	Indoor Air Quality	✓	
5	NCCO Air Purifiers		✓
6	Window Blinds		✓
7	Audio Visual System Control		✓

Job Reference – Commercial Office

Air Purification System



User Interface
(Control Panel)



NCCO Air Purifier



Air Mentor

	Systems	Monitoring	Control
1	Lighting System	✓	
2	Fan Coil Unit Group Control		✓
3	Primary Air Handling Unit Group Control		✓
4	Indoor Air Quality	✓	
5	NCCO Air Purifiers		✓
6	Window Blinds		✓
7	Power Analyzer	✓	

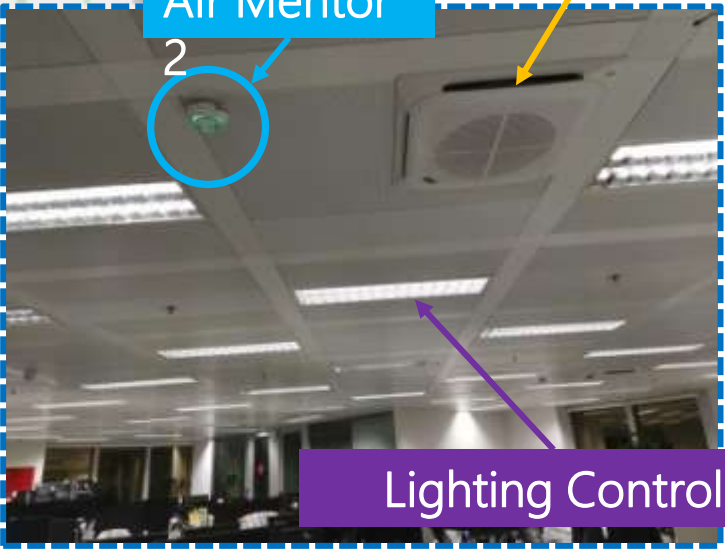
Job Reference – Financial Institute Office

System	CO2	PM2.5	PM10	Temp	Humidity	Light	Occupancy
Room 101	400	15	30	22.5	60	100	10
Room 102	350	10	25	21.0	55	100	5
Room 103	450	20	40	23.0	65	100	15
Room 104	380	12	28	22.0	58	100	8
Room 105	420	18	35	22.8	62	100	12
Room 106	360	11	26	21.5	56	100	6
Room 107	410	17	33	22.3	60	100	11
Room 108	390	14	29	21.8	59	100	9
Room 109	430	19	36	22.6	63	100	13
Room 110	370	13	27	21.2	57	100	7

Air Purification System

NCCO Air

Air Mentor



	Systems	Monitoring	Control
1	Lighting System	✓	✓
2	Indoor Air Quality	✓	
3	NCCO Air Purifiers		✓

User Interface (IAQ Monitoring & Control Panel)

Lighting Control